

NATURAL GAS SAFETY BREAKAWAY

Specifications (overall fitting length)

Body:	Stainless Steel (ASTM A351 CF-8M)
Seal:	Nitrile
Pressure Rating:	300 psi (21 bar)
Temperature Rating:	-40°F – 212°F (-40°C – 100°C)
Connections:	FNPT, MNPT
Line Sizes:	3/4"
Overall Length:	4", 6"

Ordering Information:

NGSB - 075 - 4 - FF

NGSB

Natural Gas Safety Breakaway

Size

3/4"

Overall Length

4 = 4"

6 = 6"

End Connections

(inlet x outlet)

FF = FNPT x FNPT,

FM = FNPT x MNPT

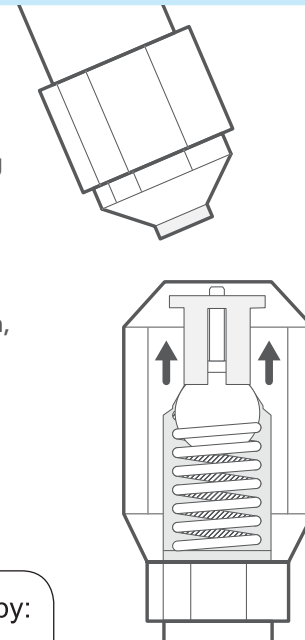
Inlet by Outlet

MM = MNPT x MNPT

MF = MNPT x FNPT

How the Natural Gas Safety Breakaway Works:

- The breakaway is installed into the meter set or other gas piping
- Design withstands nominal lateral forces
- If a significant lateral force occurs, the fitting breaks
- The ball acts as a plug stopping the escape of gas
- Stopping the flow of natural gas minimizes risk of fire, explosion, property damage and serious injury



Distributed by:

GROEBNER
POWERED BY EXPERIENCE

800-638-8322
www.groebner.com

OPW
ENGINEERED SYSTEMS
a **DOVER** company

www.opw-es.com | 2726 Henkle Drive | Lebanon, Ohio 45036 | Phone: (513) 932 9114 | Fax: (513) 932 9845

NOTE: All information subject to engineering and/or other changes. All trade names are copyrighted. Patents Pending. ©2018 OPW Engineered Systems. ©2018 Delaware Capital Formation, Inc. All Rights Reserved. DOVER and the DOVER logo are registered trademarks of Delaware Capital Formation, Inc., a wholly-owned subsidiary of Dover Corporation.